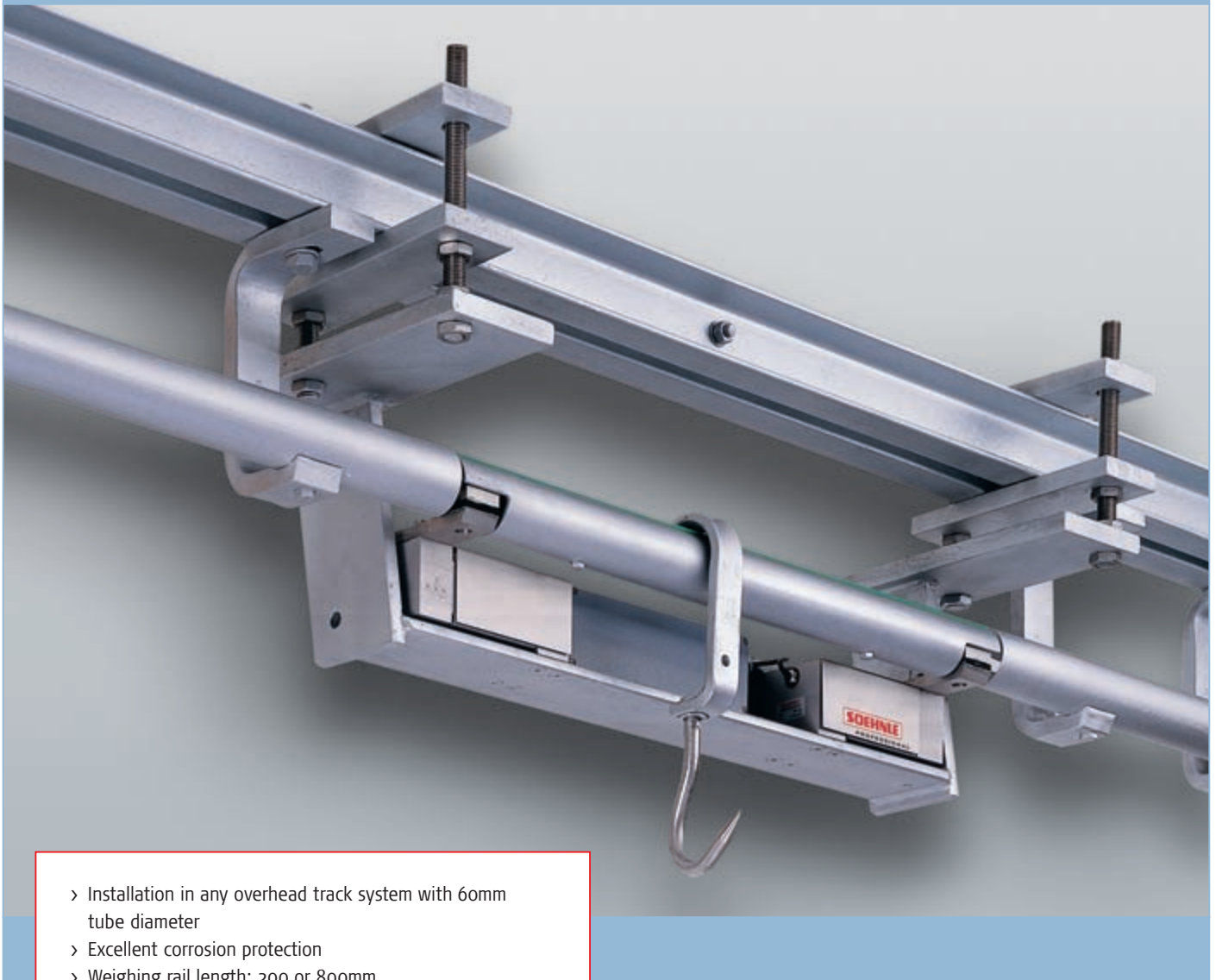


# OVERHEAD TRACK SCALE

PRODUCT NUMBER 2922

Trade, commerce and industry



- › Installation in any overhead track system with 60mm tube diameter
- › Excellent corrosion protection
- › Weighing rail length: 200 or 800mm
- › Weighing rail with plastic insert
- › Weighing ranges: 150 to 600kg
- › EU Class III

# OVERHEAD TRACK SCALE

PRODUCT NUMBER 2922



## Features

The fully electronic Overhead Track Scale 2922 is installable in any tubular track system with a tube diameter of 60mm. Other rail shapes are available on request. The space-saving design allows installation in confined spaces. The electronic load cells are specially protected for applications in wet environments (Protection Class IP 65, dust and splash-proof).

### Standard design

- › Corrosion protection by hot-dip galvanisation and chrome nickel steel
- › Weighing rail with plastic insert
- › 10m measuring cable

### Accessories

- › Fixing materials to attach hangers
- › Ceiling attachment – please quote spacing between top edge tubular track and bottom edge hanger or between top edge tubular track and load-bearing ceiling.

## Indicators

Select the best indicator to meet your weighing requirements. Important: up to 3 scales are connectable to Digital Indicator 2761 and Program Terminal 3030. That means a floor scale, bench scale or wall scale in addition to the overhead track scale. The indicators are listed in our catalogue.

## Ordering information

Order Numbers	Version	Weighing Range*	Divisions	Weighing rail length
	kg	kg	g	mm
2922.32.001	0 - 300	2 - 300	100	800
2922.33.001	0 - 600	4 - 600	200	800
2922.20.001	0 - 150	1 - 150	50	200
2922.21.001	0 - 300	2 - 300	100	200

\*The weighing range is the officially prescribed range (Min./Max.) within which the scale may be used for approved weighing operations.

Your Soehnle Professional dealer:

[www.soehnle-professional.com](http://www.soehnle-professional.com)