

STANDARD TERMINAL

PRODUCT NUMBER 3020

Digital Indicators



- › 4 application programs
- › Stainless steel housing 1.4301, Protection Class IP 67
- › With integrated power supply 100-240V, 50/60Hz, 400mA
- › Dot matrix display 240 x 64 pixels
- › Adjustable backlighting
- › Alphanumeric input keypad
- › Weighing ranges: 0.1 to 120,000kg
- › 2 analogue/digital measuring points connectable internally
- › EU Class III – approvable resolution for approx. 10,000e
- › Barcode management

Features

The approvable Standard Terminal 3020 is the well conceived solution for applications in incoming goods and in production, store and shipping departments. Precise, high-speed metrology for modern weighing solutions in the food, pharmaceutical and chemicals industries and well as in the electrical engineering and metalworking industries.

Functions

Every weighing operation has its particularities. The 4 different application programs on the Program Terminal 3030 offer you a wide range of solutions for the following weighing operations:

- › Weighing and taring
- › Totalising and batching
- › Counting
- › Checking

Please note the folding page containing descriptions of the programs. Special programs are available on request.

Housing

- › Compact housing made of stainless steel 1.4301, Protection Class IP 67 suitable for tough ambient conditions
- › Available for installation on bench, wall or stand
- › Cabinet installation available as an option
- › Integrated power supply, cable routed through sealed cable gland
- › Pressure equalisation by gas-permeable membrane

Possible connection setups

- › 2 analogue/digital measuring points internally connectable
- › Further measuring points on request
- › Approvable resolution up to $10,000e/3 \times 3000e$ when fitted with suitable load cells
- › Barcode scanner connectable to RS 232 interface
- › PC keyboard
- › Additional indicator

Ask your specialist dealer or one of our employees.

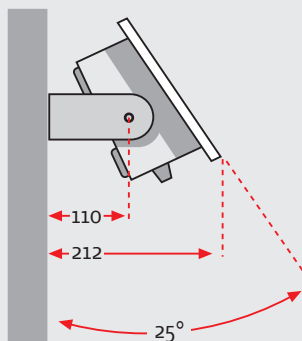
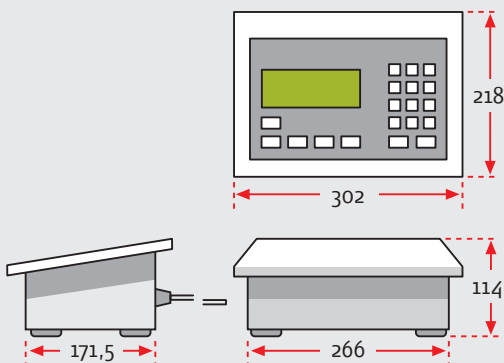
Interfaces

- › Standard equipment with one RS 232 data interface
- › Optional: other interfaces are available, e.g. RS 232, RS 422, RS 485, 20mA CL
- › Various Fieldbus interfaces such as Profibus DP, Interbus S, Modbus, Canbus and Ethernet connectivity options
- › Connection to printer, control and warehouse management systems is possible without any problems.

Approvable alibi memory via data memory

- › MMC/SD card with 32MB memory capacity for 2 million entries in the approvable alibi memory (optional)
- › Fixed value memory for max. 400 entries valid for all programs, e.g. for tare memory, reference weight memory, etc.

Dimensions (mm)



Operation, keypad and indicator

Accessories

There is a wide range of accessories for the Standard Terminal 3020, e.g.:

- › Tape and label printer
- › Other digital/analogue measuring points
- › Approvable break point in the measuring cable
- › Anybus board, e.g. Profibus
- › DC power supply
- › Barcode scanner
- › Alibi memory
- › Software for fixed value input via PC
- › Wall or stand support
- › External PC keyboard

Print

Besides the standard Tape Printer 2795.11.001 and the Label Printer 2795.12.001, all EU-approved printers are connectable to the RS 232 serial interface.

Mechanical design

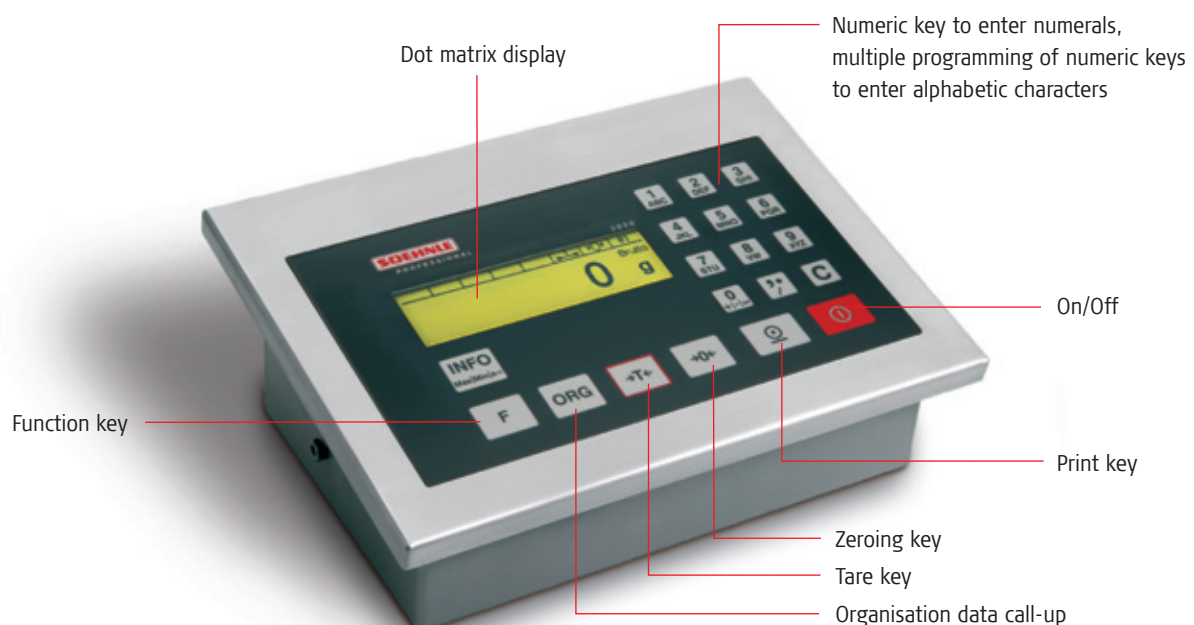
- › A scale basically comprises the Standard Terminal 3020 and one or several weighing machines connectable by cable to one or several load cells.
- › 1-2 measuring points are permanently connected to the device and are optionally disconnectable via an approvable break point in the measuring cable.
- › Approvable break point: an ID chip is integrated in each weighing machine for the standard terminal to identify it.

Indicator

- › Dot matrix display (240 x 64 pixels), backlit and adjustable
- › The indicator displays a number of situation-dependent views. It is divided into separate display panes, such as additional indicator, symbol bar and display pane.

Keypad

- › Membrane keyboard with large keys and pressure point
- › The easy-to-clean membrane keyboard with smooth surface meets all ergonomic, hygienic and long-life requirements
- › A total of 19 keys, of which 1 function key, 1 key for organisation data, alphanumeric keys to enter manual tare weights, piece weights and accompanying data; text can be entered using the numeric keys
- › Application-specific function input via function key
- › Keylock to lock single keys irrelevant to a particular function



Technical data

Housing

- › Stainless steel housing made of chrome nickel steel 1.4301
- › Protection Class IP 67
- › Intrinsic weight: 3.2kg
- › For dimensions see dimensional drawing

Keypad

- › Membrane keyboard with 19 large keys for reliable operation
- › Text input using multifunctional keys

Indicator

- › Indicator with dot matrix display with 240 x 64 pixels
- › Adjustable backlighting

Environmental conditions

- › Temperature range: -10°C to +40°C

Interfaces

- › 1x RS 232 serial interface (standard)
- › Optional: an additional interface RS 232 or RS 422 (2- or 4-wire), 20mA CL
- › RS 485 interface
- › External PC keyboard

Electronic connection

- › Integrated power adapter with extremely wide range of mains power supplies from 100-240V, 50/60Hz, 400mA
- › Power plug with 2m power cord
- › Optionally: DC power supply 12V, 24V or 48V
- › Load cell power supply either 5VDC or 5VAC at 33Hz
- › Minimum input signal 0.25µV/e
- › Measuring cable length max. 80m and 0.14mm

Weighing electronics

- › Connection of 1 to 2 measuring points internally, additional measuring points on request
- › 4- or 6-wire technology, approvable resolution to 10,000e
- › Internal resolution 10,000,000d
- › Measuring value rate: 67/s
- › Sensitivity 0.25µV/e
- › Resolution: $n \leq 6000e$ (for vehicle weighbridges $n \leq 3000e$)

Reference data EU Class III

- › Max. weighing range: 0.1kg to 120t
- › On single-range scales: $n < 10,000e$, on multirange and multidivision scales: $n = 2 \times 6000e$ or $3 \times 3000e$

Memories

- › Approvable data memory (32MB) for memory capacity up to min. 2 million weighing operations (optional)
- › Alibi ID by consecutive number
- › Fixed value memory for total of 400 fixed values valid for all programs and failsafe

Date and time memory

- › Battery backed real-time clock

Use in Ex zones

- › The standard version of Terminal 3020 may not be used in areas subject to explosion hazards.
- › There is a version available for Ex zones 2 and 22.

Application programs

With its 4 programs, the Soehnle Professional Standard Terminal 3020 is the modern solution for many weighing operations in trade, commerce and industry.

Weighing and taring

- › Manual tare input
- › Multiplicative tare
- › Provisional tare
- › Automatic tare
- › Up to 400 fixed value tare memory locations

Totalising and batching

- › Totalise gross, tare and net weights in a total memory
- › Automatic totalising
- › Consecutive number and item counter

Counting

- › Convenient reference weight calculation
- › Reference weight input
- › Reference weight optimisation
- › Reference weight fixed value memory

Checking

- › Weigh-in at a setpoint weight
- › Displays deviation and tolerance as weight value

(other programs on request)

Ordering information

Order Numbers	Description	Dimensions	Weight
		mm	kg
3020.01.001	Bench design	302 x 218 x 114	3,7
3020.01.002	Wall or stand supportlg	302 x 218 x 114	3,7
3020.01.003	Assembly in switchboard	302 x 218 x 114	3,7

FOR MEASURABLE SUCCESS

SOEHNLE
PROFESSIONAL

Your Soehnle Professional dealer:

www.soehnle-professional.com