

Accessories Laboratory Scales

Analytical Scales Class I	
Article	Order No.
Tape printer 2795.14	2795.14.001
Thermal printer with cutter 2795.12	2795.12.001
Data cable for printers 2795.12 and 2795.14	2550.03.012
Data cable for PC	2550.03.013
Thermal printer with clock module for 9400	2795.16.001
Thermal printer with statistics function	2795.17.001
Data cable for printers 2795.16 and 2795.17	2550.03.017
Density determination kit 85 for analytical scales with $d = 0,1 \text{ mg}$	2500.06.001
Anti-vibration table, painted steel, weight: 67 kg	2502.02.003
Protective cover keyboard (all, except for 9432 Pro)	2507.02.002
Protective cover keyboard 9432 Pro	2507.02.003
Power supply 11 V	2557.05.001
Precision Scales Class II	
Article	Order No.
Wind shield cover with 3 doors for scales with platform 128 mm (needs to be mounted factory-provided)	2500.03.003
Tape printer 2795.14	2795.14.001
Thermal label printer with cutter 2795.12	2795.12.001
Data cable for printers 2795.12 and 2795.14	2550.03.012
Data cable for PC	2550.03.013
Thermal printer with clock module for 9430 and 9431	2795.16.001
Thermal printer with statistics function	2795.17.001
Data cable for printers 2795.16 and 2795.17	2550.03.017
Density determination kit 128 for scales with $d = 0,001 \text{ g}$	2500.06.002
Anti-vibration table, painted steel, weight: 67 kg	2502.02.003
Protective cover keyboard	2507.02.002
Power supply 11 V	2557.05.001
Transport case, plastic, for 9431 and 9432	5030.00.003
Moisture Analysers	
Article	Order No.
Tape printer 2795.14	2795.14.001
Thermal label printer with cutter 2795.12	2795.12.001
Data cable for printers 2795.12 and 2795.14	2550.03.012
Data cable for PC	2550.03.013
Anti-vibration table, painted steel, weight: 67 kg	2502.02.003
Specimen bowls, disposable (50 units)	2500.04.001
Thermometer zur Temperaturkalibrierung	2500.05.001
Protective cover keyboard	2507.02.002

Date: November 2009

Soehnle Professional GmbH & Co. KG
 Manfred von Ardenne Allee 12
 71522 Backnang
 Germany
 Phone +49 (0) 7191 3453 220
export@soehnle-professional.com
www.soehnle-professional.com

Tape printer 2795.14

2795.14.001



Thermal lable printer with cutter 2795.12

2795.12.001



Thermal printer with clock module 9400
Thermal printer with statistics function

2795.16.001

2795.17.001



Density determination kit 85 f. analyt. scales with $d = 0,1 \text{ mg}$

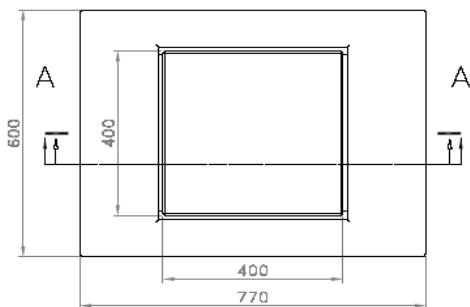
2500.06.001



Anti-vibration table, painted steel, weight: 67 kg

2502.02.003

Height: 800 mm
Working surface: 600 x 770 mm
Flagstone marble: 400 x 400 mm



Subject to technical modifications